

1RU Rack Mount Chassis for 4* Cassette



Description

The 1RU rack mount fixed fiber enclosure is designed to accept up to 4pcs MPO cassettes within a 1RU space, providing versatility and flexibility with a fully modular solution for a variety of fiber optic patching, terminating, and splicing applications. It is simplify the operation, the top cover could be tool-less removed, which makes the cable management more convenient.

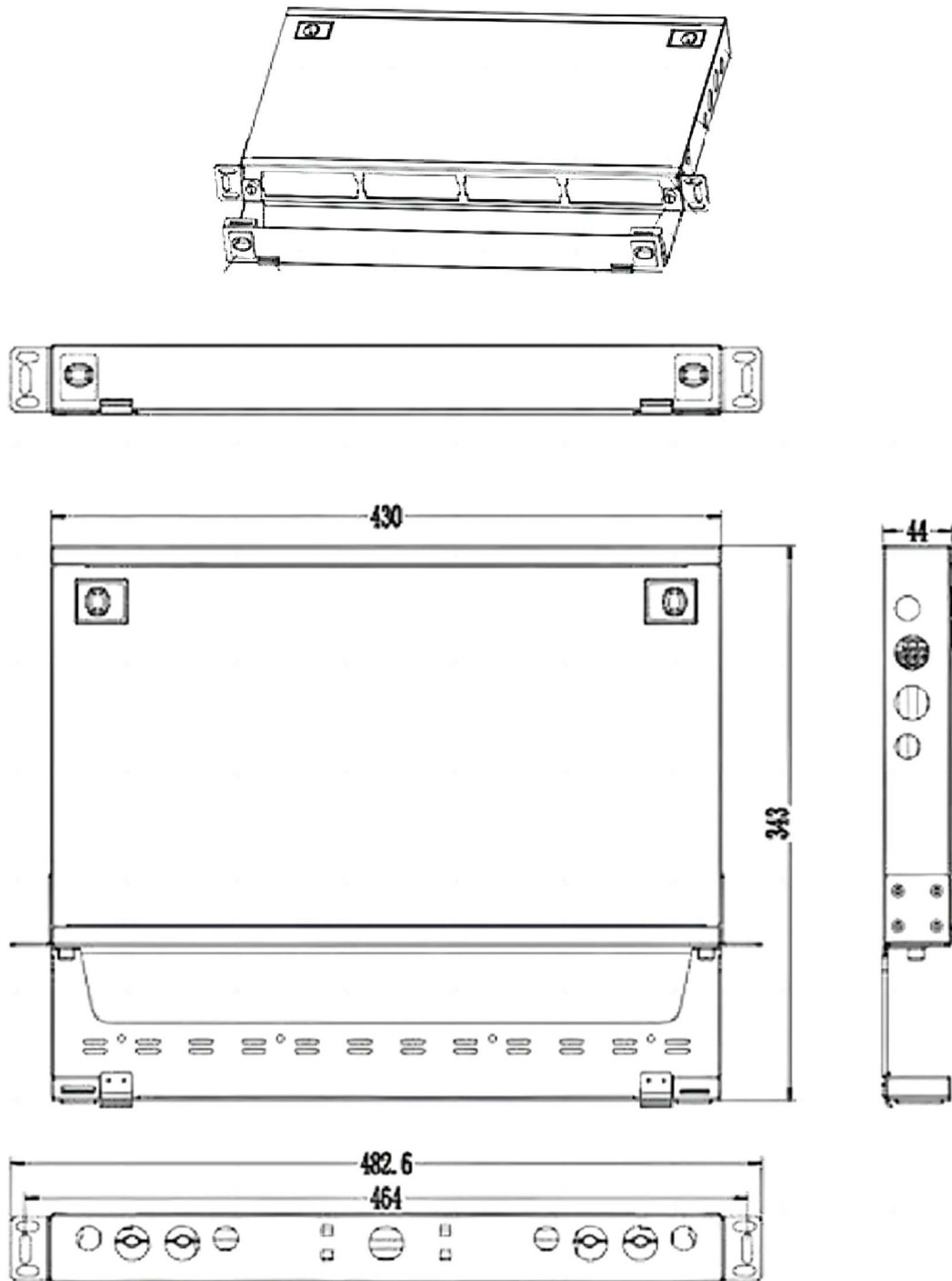
Applications

- CATV
- Data processing networks
- Telecommunication networks
- WANs and LANs

Specifications

Number of Rack Spaces	1RU	Fiber Count	Up to 64 Fibers (LC) or 8 Fibers (MPO)
Product Type	Fixed Enclosure	Cable Entry Direction	Side and Rear Cable Entry
Loaded	Unloaded	Material	SPCC, Powder-coated Black
Mounting Type	Rack Mount	Installation	Standard EIA 19" Rack Rails
Dimensions (HxWxD)	1.73"x19.00"x13.50" (44.0x482.6x343.0mm)	Application	Accepts 4 HD Panels/Cassettes

Dimension Outline



Ordering Information

Part Number	Description
YCHD-1U-N	1RU Rack Mount Chassis for 4*Cassette