

MPO to LC Cassette for SMF Series



Description

The HD (High Density) series MPO fiber cassette offers 2*8-fiber MPO adapter on the rear of the units routed to duplex LC adapters on the front patch field, which interconnect with high density fiber cable assemblies for multiple applications.

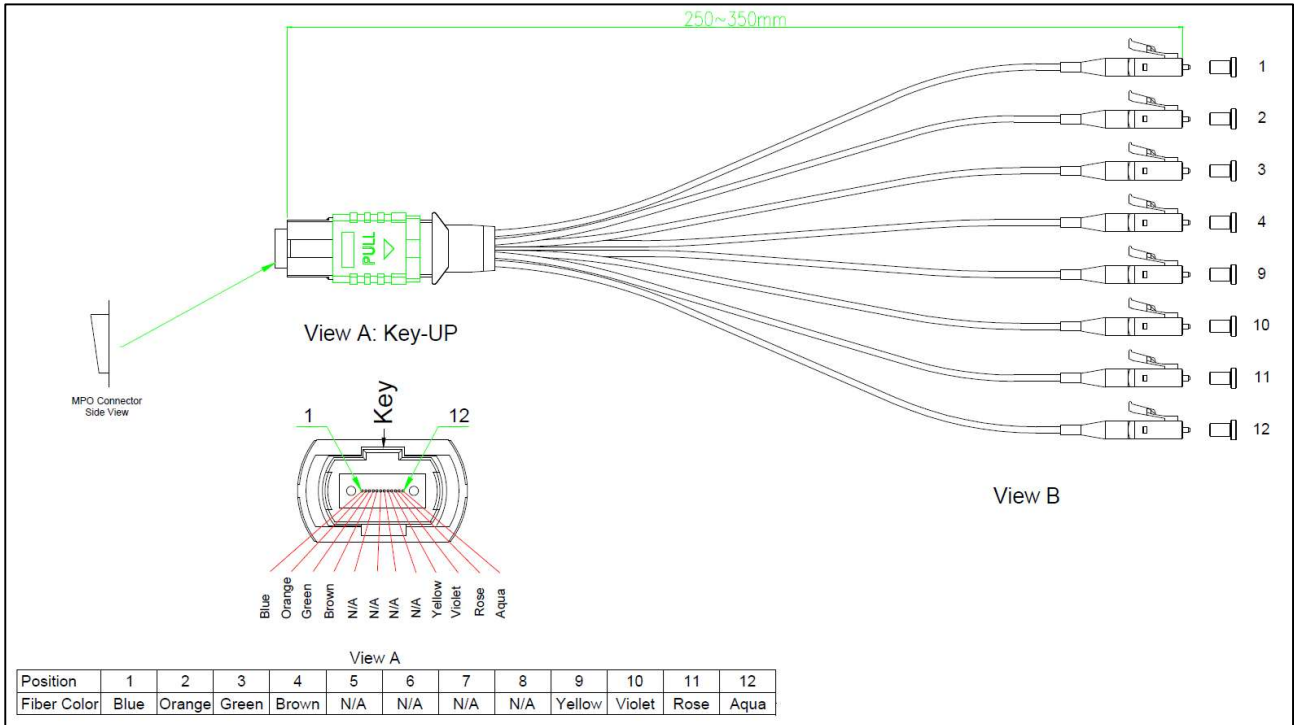
Applications

- CATV
- Data processing networks
- Telecommunication networks
- WANs and LANs

Specifications

Fiber Count	16 Fibers	Fiber Mode	SMF OS2
Front Connector Type	LC UPC Duplex (Blue)	Number of LC Port	16 Ports
Rear Connector Type	MPO APC	Number of MPO Port	2 Port
Dimensions (HxWxD)	32.5x96.5x124mm	Material of Cassette Body	PC/ABS
Insertion Loss	MPO≤0.35dB, LC≤0.3dB	Return Loss	MPO≥60dB, LC≥50dB

Polarity Illustration



Ordering Information

Part Number	Description
YMHD-1S-8DLC-2MTP/M	8 Duplex LC/UPC & 2 MPO/M SMF High Density Cassette

MPO to LC Cassette for MMF Series



Description

The HD (High Density) series MPO fiber cassette offers 2*8-fiber MPO adapter on the rear of the units routed to duplex LC adapters on the front patch field, which interconnect with high density fiber cable assemblies for multiple applications.

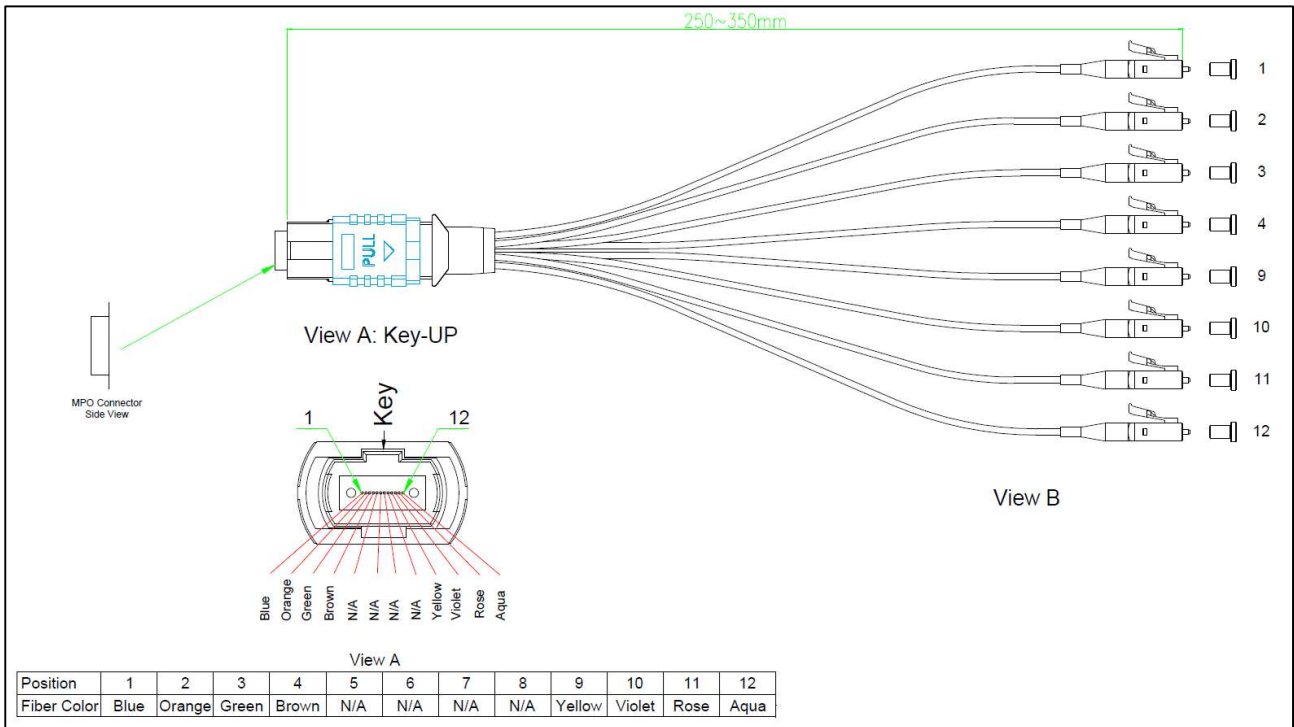
Applications

- CATV
- Data processing networks
- Telecommunication networks
- WANs and LANs

Specifications

Fiber Count	16 Fibers	Fiber Mode	MMF OM4
Front Connector Type	LC UPC Duplex (Beige)	Number of LC Port	16 Ports
Rear Connector Type	MPO PC	Number of MPO Port	2 Port
Dimensions (HxWxD)	35.3x96.5x124mm	Material of Cassette Body	PC/ABS
Insertion Loss	MPO≤0.35dB, LC≤0.3dB	Return Loss	MPO≥30dB, LC≥50dB

Polarity Illustration



Ordering Information

Part Number	Description
YMHD-1M-8DLC-2MTP/M	8 Duplex LC/UPC & 2 MPO/M MMF High Density Cassette